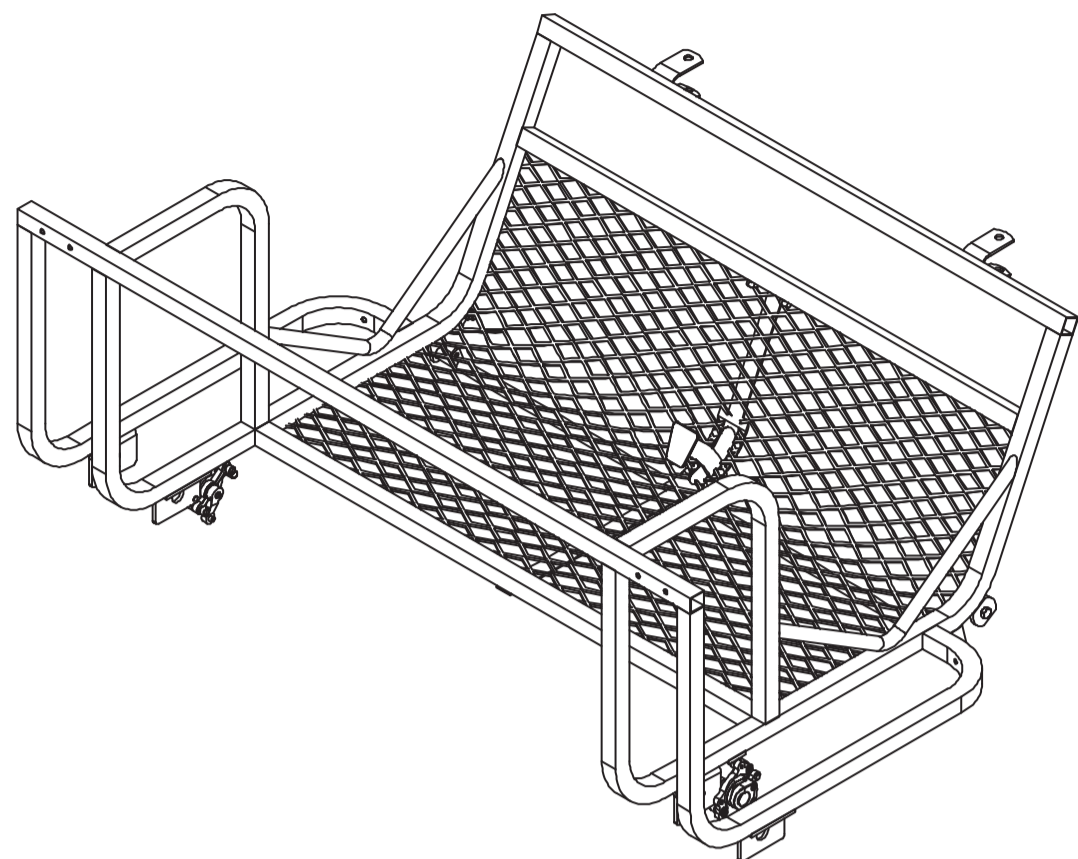
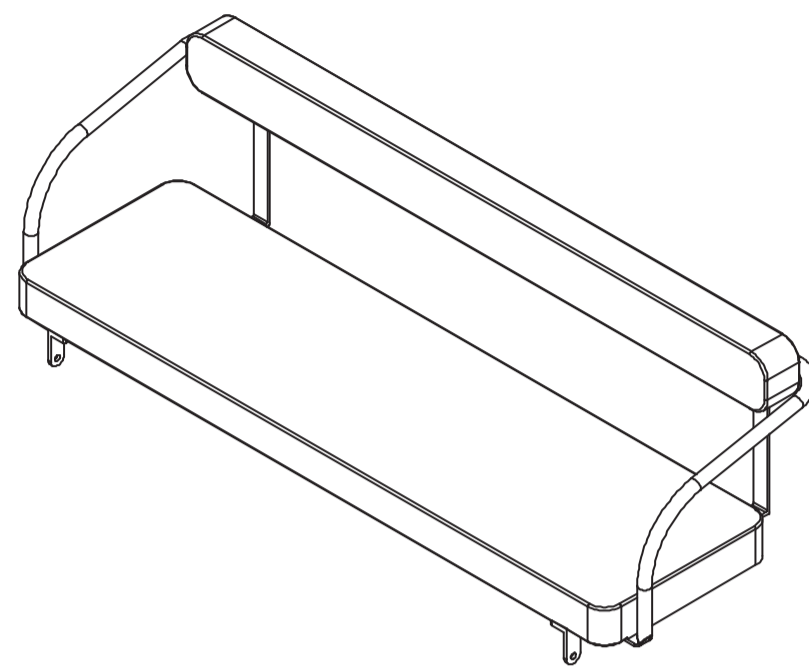


# Sulky Oxer®

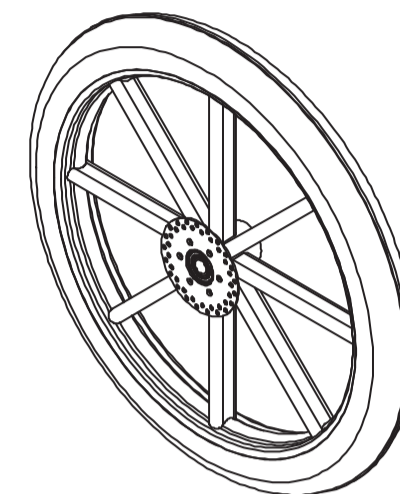
## Assembly instruction



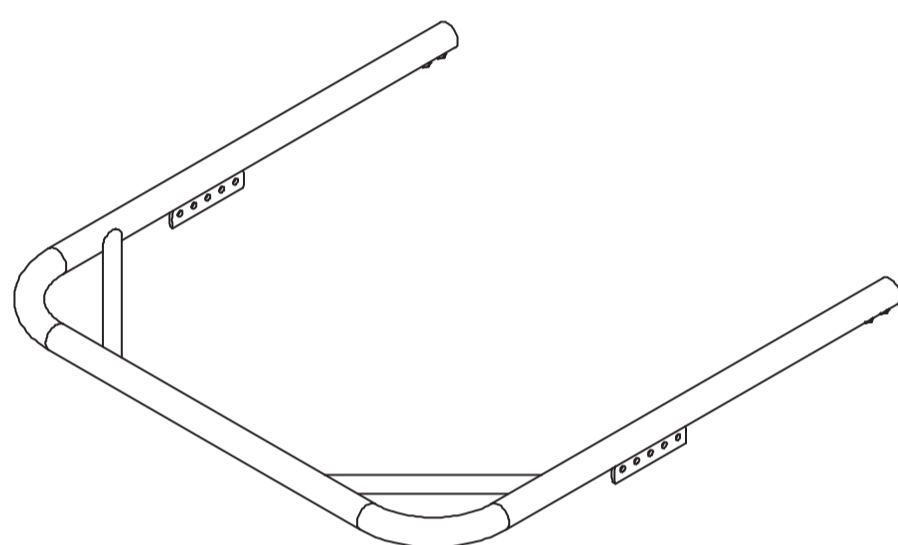
A x1



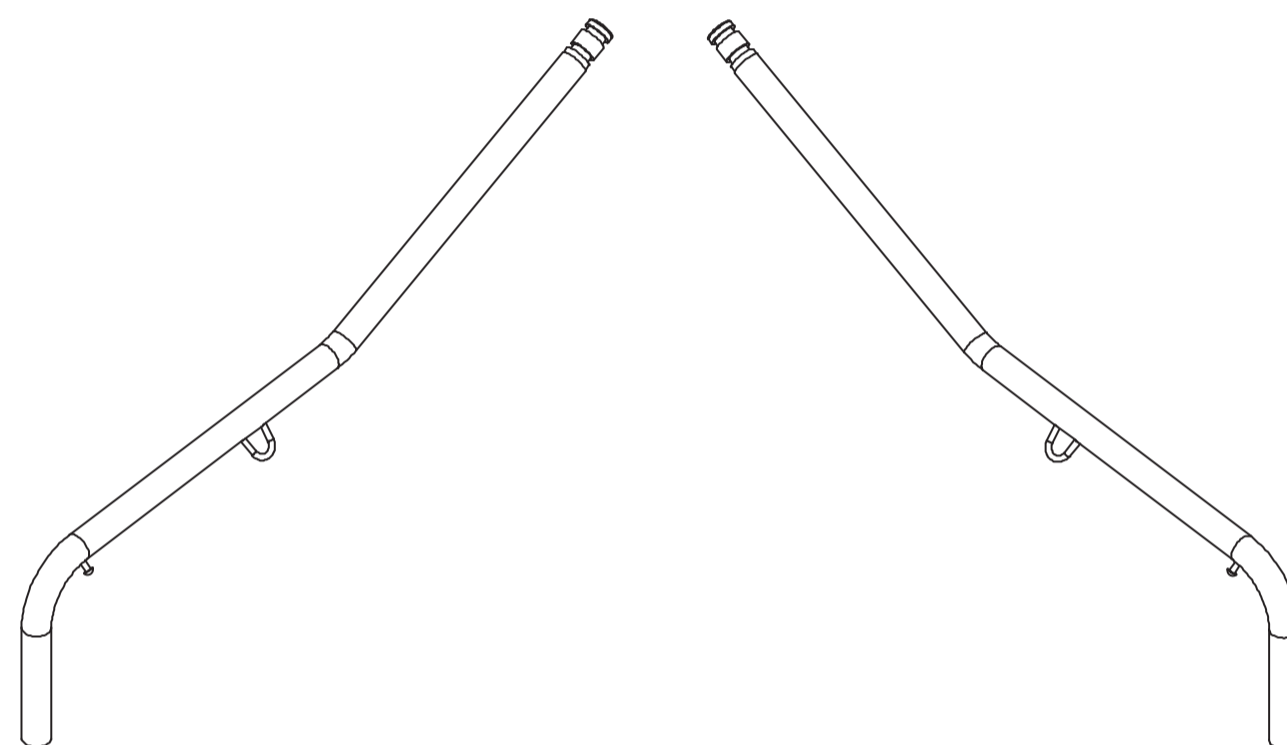
B x1



C x2

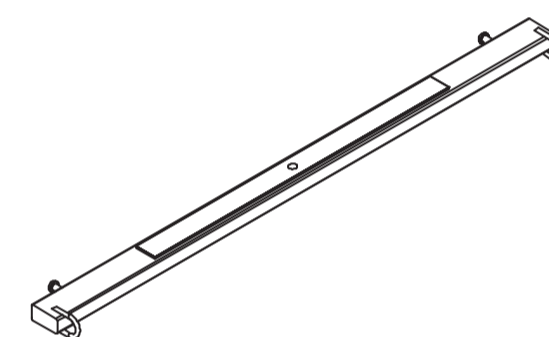


D x1



E x1

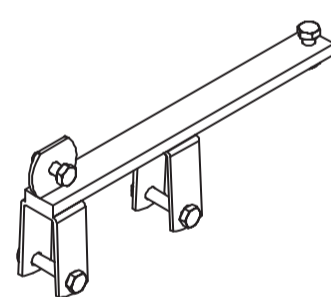
F x1



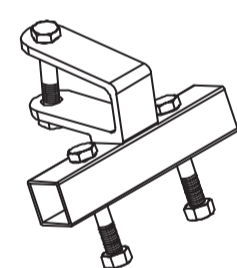
G x1



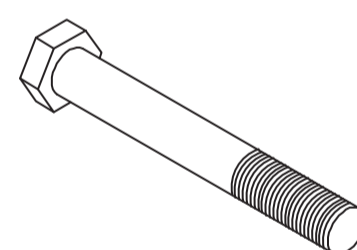
H x2



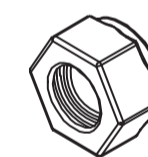
I x2



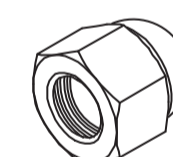
J x1



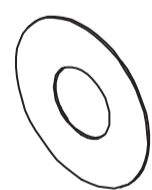
K x2



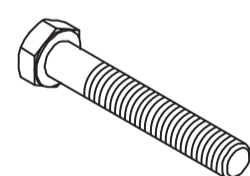
L x2



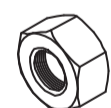
M x2



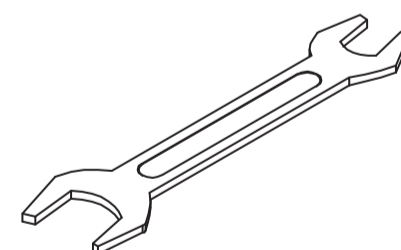
N x4



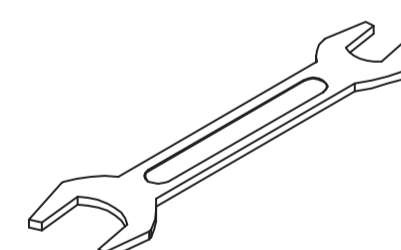
O x2



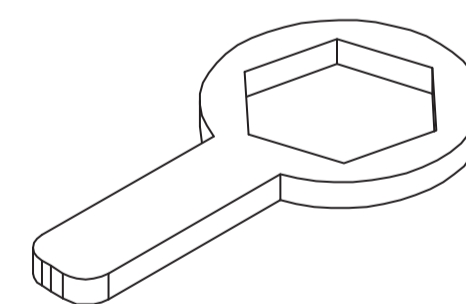
P x2



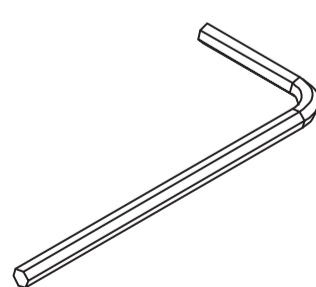
11-13



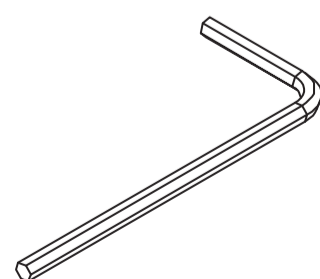
14-17



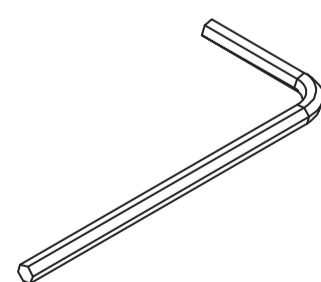
30



#2.5



#4



#5

